

## PACKING LIST

Frame	pcs
Column	2
Feet	2
End pipe	2
Outer pipe	4
Connection pipe	2
Cable clamp	8
Rubber grip	4
Rubber washer	18
Hole cap	4
Control Box / Hand control	pcs
Control box	1
Hand control	1
AC cable	1
Screws	pcs
Screw for motor house / Outer pipe, M6x16mm	8
Screw for feet, M10x16mm	8
Tailstock for connection pipe, M10x20mm	8
Screw for tabletop, Ø5x20mm	14
Screw for hand control, Ø4x22mm	2

## Tightening torque

Tailstock	Maximum 6Nm
Screw for motor house and outer pipe	Maximum 10Nm
Screw for feet and tabletop	Maximum 10Nm
Screw for hand control	< 6Nm

**Make sure all screws are tightened, also after a period of use!**

## Reset the desk before use

Press both up and down buttons at the same time for 3 seconds. Continue pressing the buttons until both columns are in lowest position. When finish reset, the control box makes a sound and the buttons can be released. Now the system is operational.

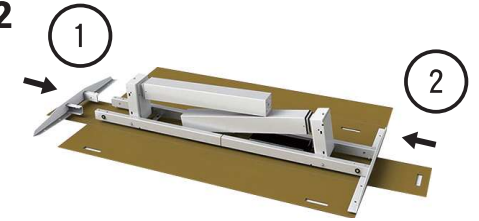
## WARNING

Carefully arrange all the cables not to be damaged by tabletop screws.

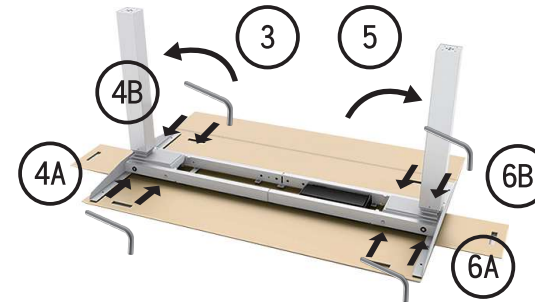
### Step 1



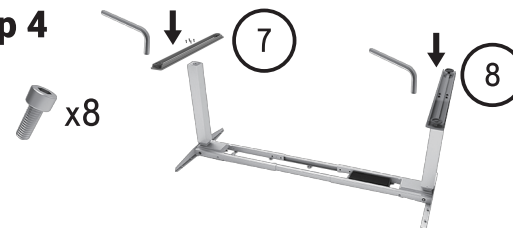
### Step 2



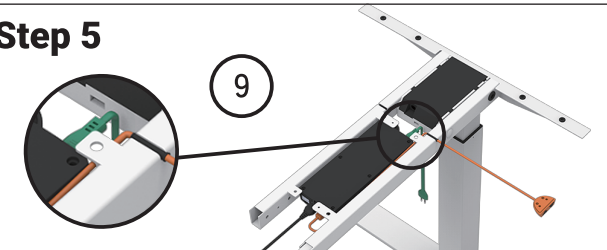
### Step 3



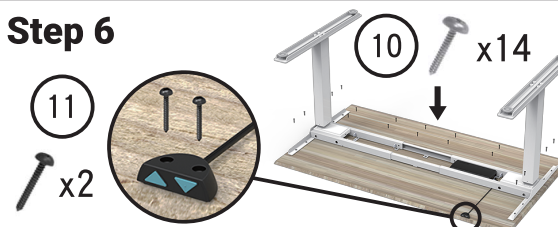
### Step 4



### Step 5



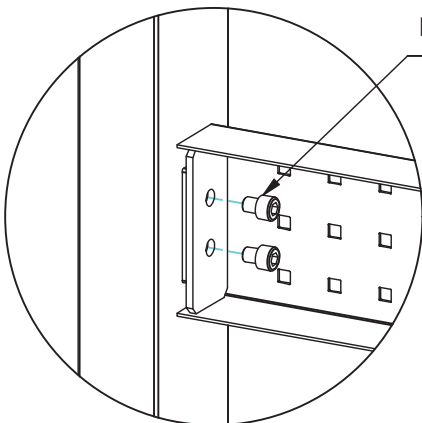
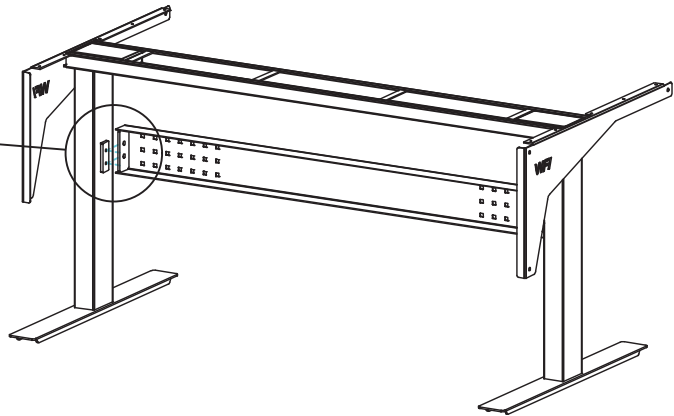
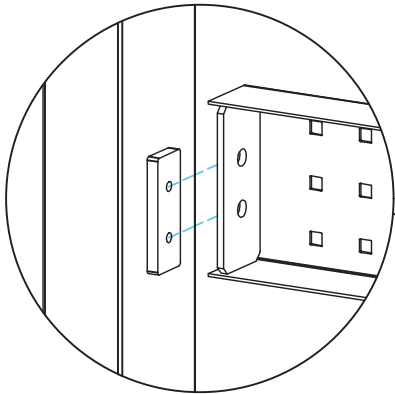
### Step 6



### Step 7



# 11-198-1360 Crossbar MW200



M10x12 (4x)

