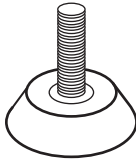


8x



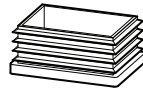
4x



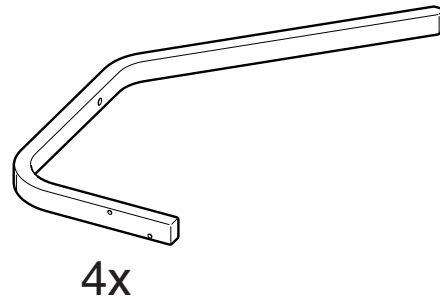
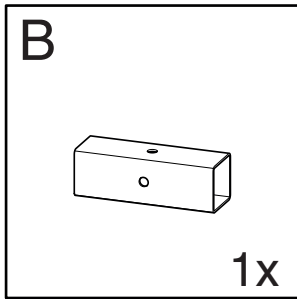
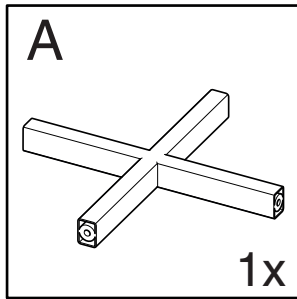
4x



4x

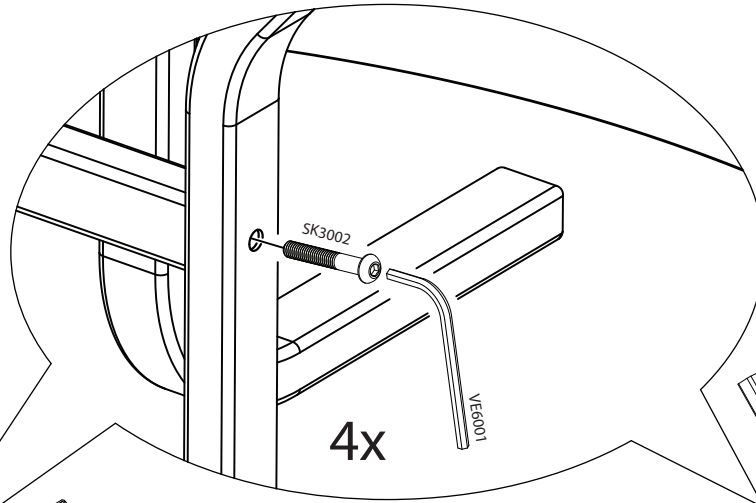
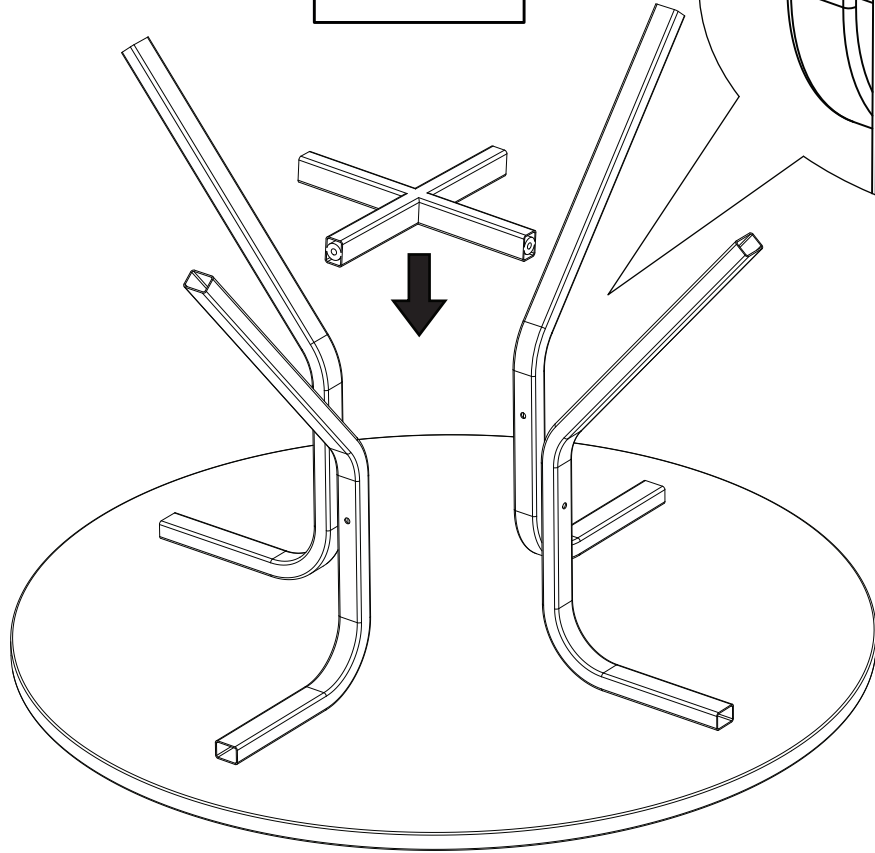


4x

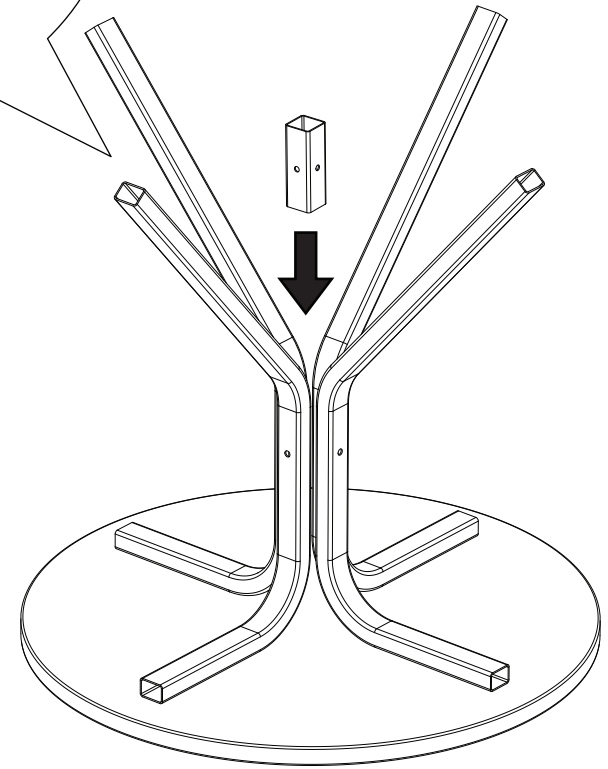


1

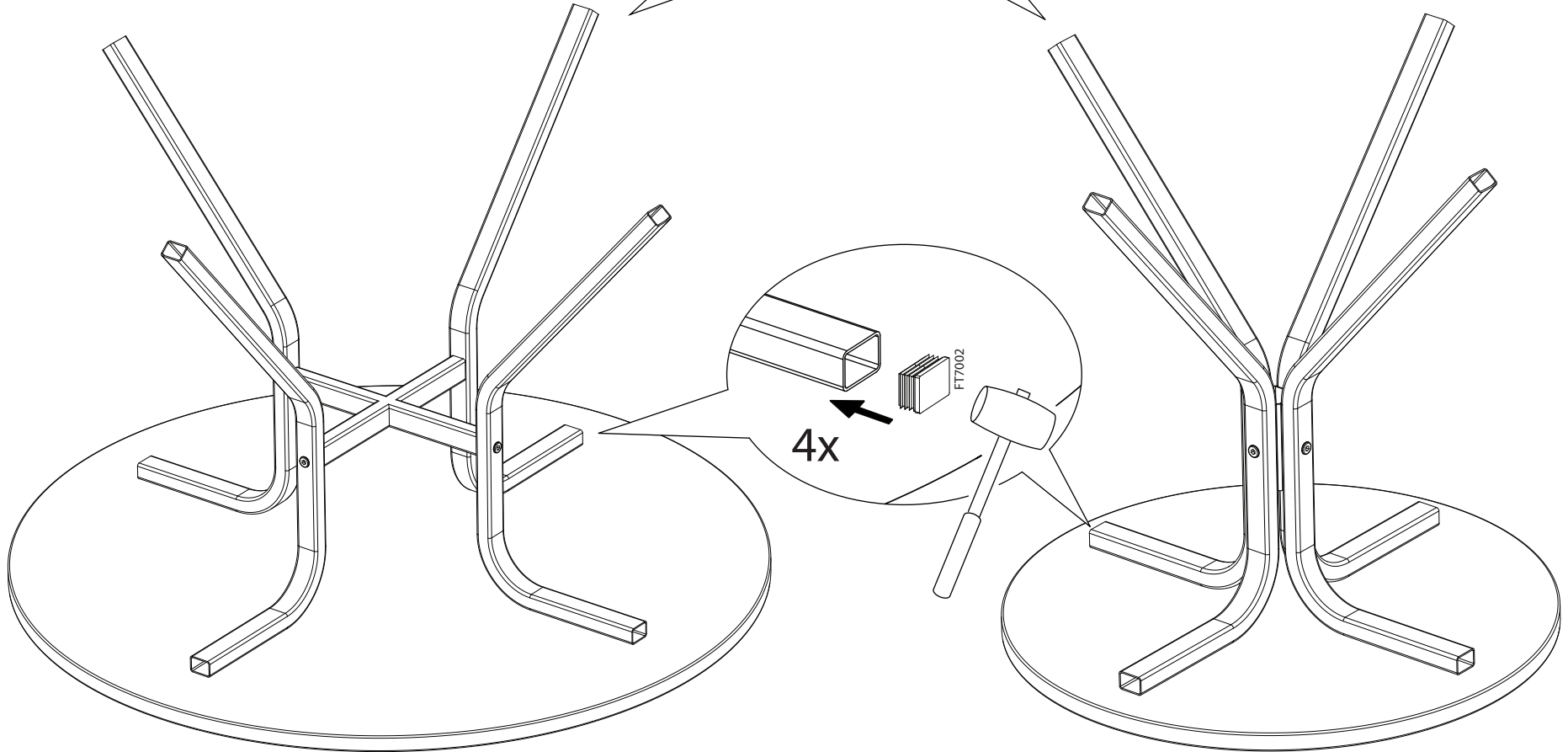
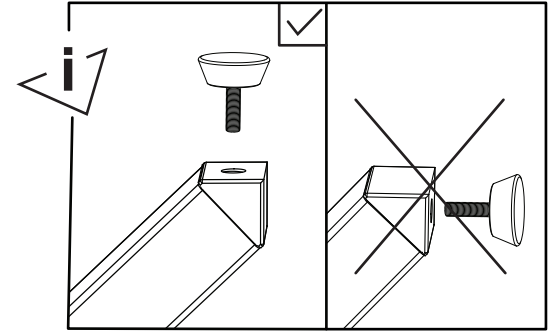
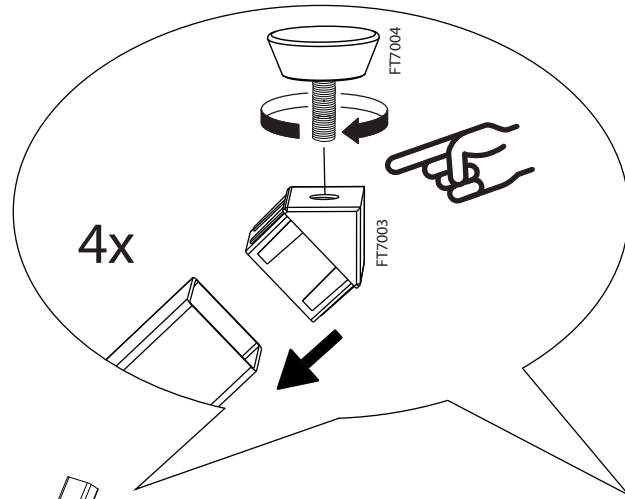
A



B



2



3

