


ASSEMBLY INSTRUCTION 3-COLUMNS FLUSH TABLE TOP EPI IC

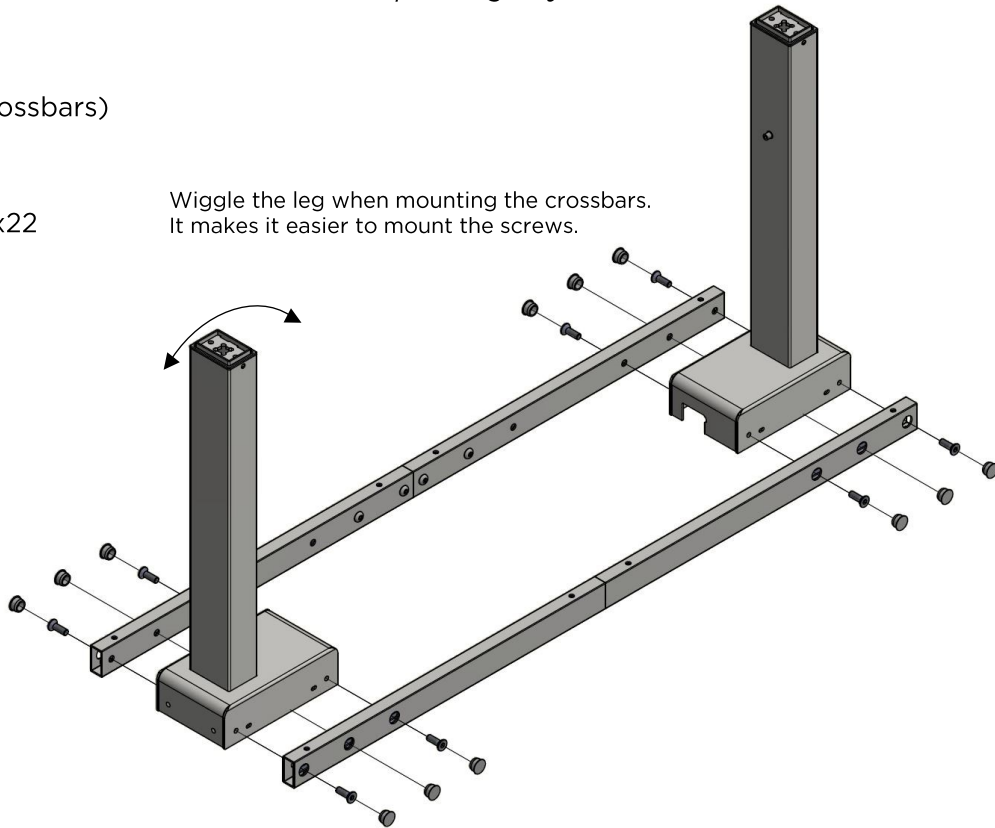
Note that this assembly instruction is illustrated using generic parts. Thus, the visual impression of the parts can vary but the basic configuration is the same. Different versions of fixing kits may also be presented. Please follow the instruction corresponding to your order.

1

 M8x25 x8 (Crossbars)

 Plastic plug x22 (optional)


Wiggle the leg when mounting the crossbars. It makes it easier to mount the screws.




Note that there are three different fixing kits for mounting the table top. Only one is supplied depending on the chosen version of table top attachment.

2

Version 1 – 90° Connection

 M8x16 x6 Countersunk (Sidebars)

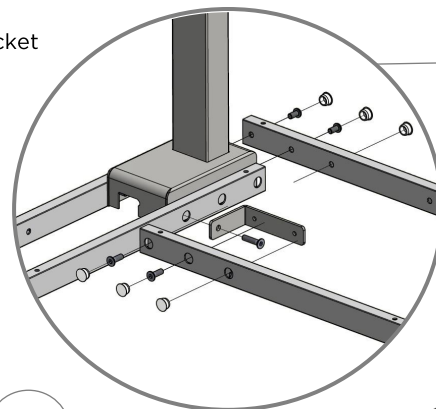
 M8x16 x8 (Feet & Corner)

 M8x35 x1
Use for connection
3-Legs 90°

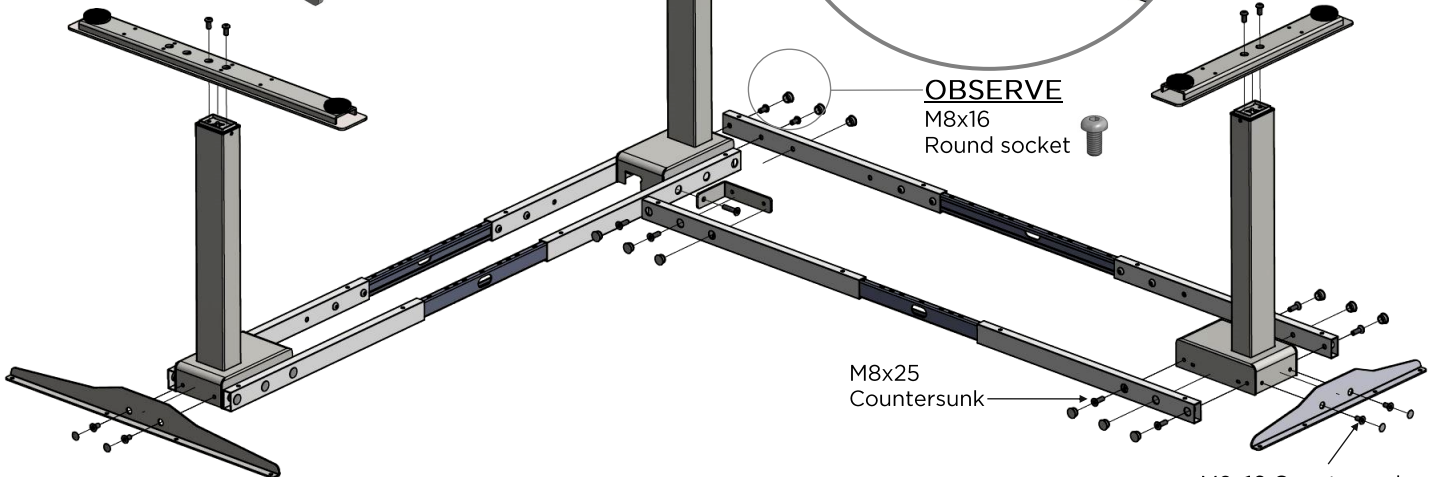
M8x16
Round socket

OBSERVE

Use M8x35 to mount the connection in crossbar.




OBSERVE
M8x16
Round socket




M8x25
Countersunk


M8x16 Countersunk

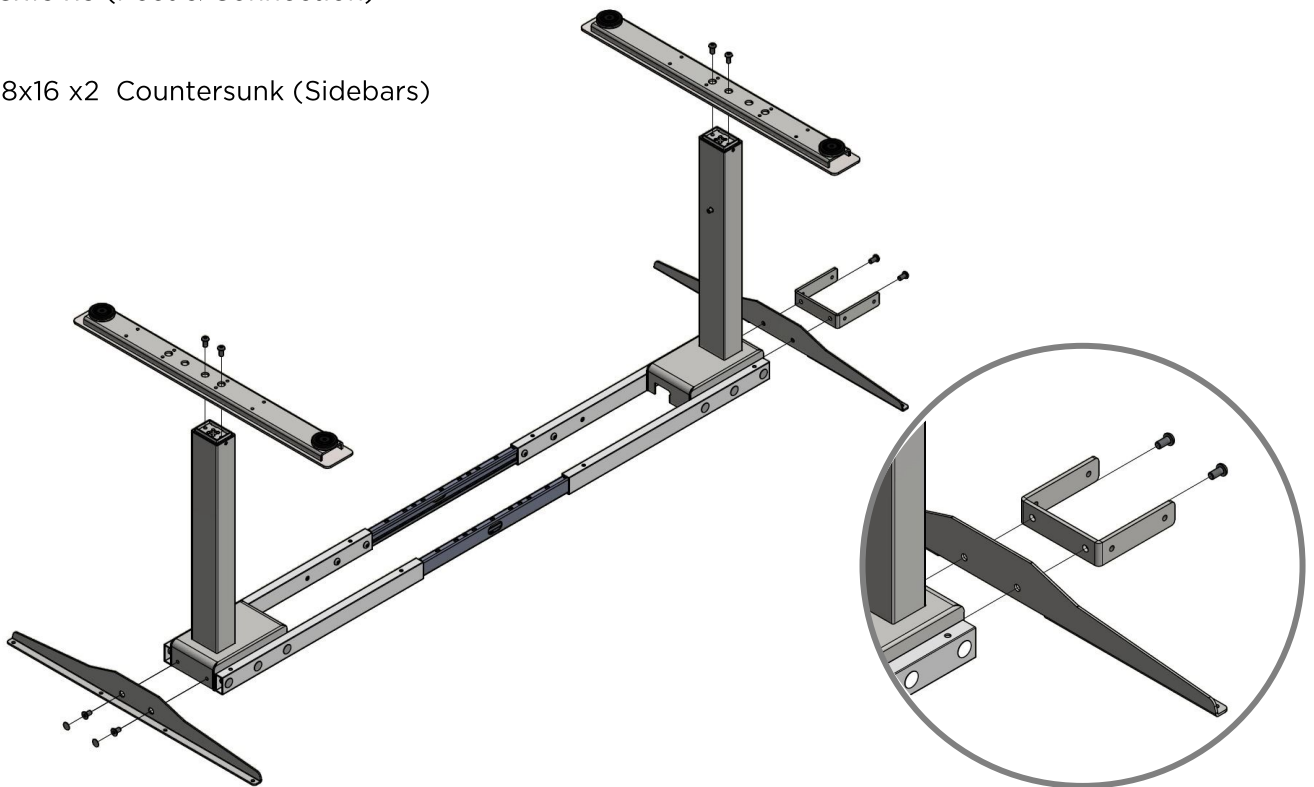
 Cover for screw M8x16 (Sidebars)

Version 2 – Straight Connection

5


 M8x16 x6 (Feet & Connection)


 M8x16 x2 Countersunk (Sidebars)



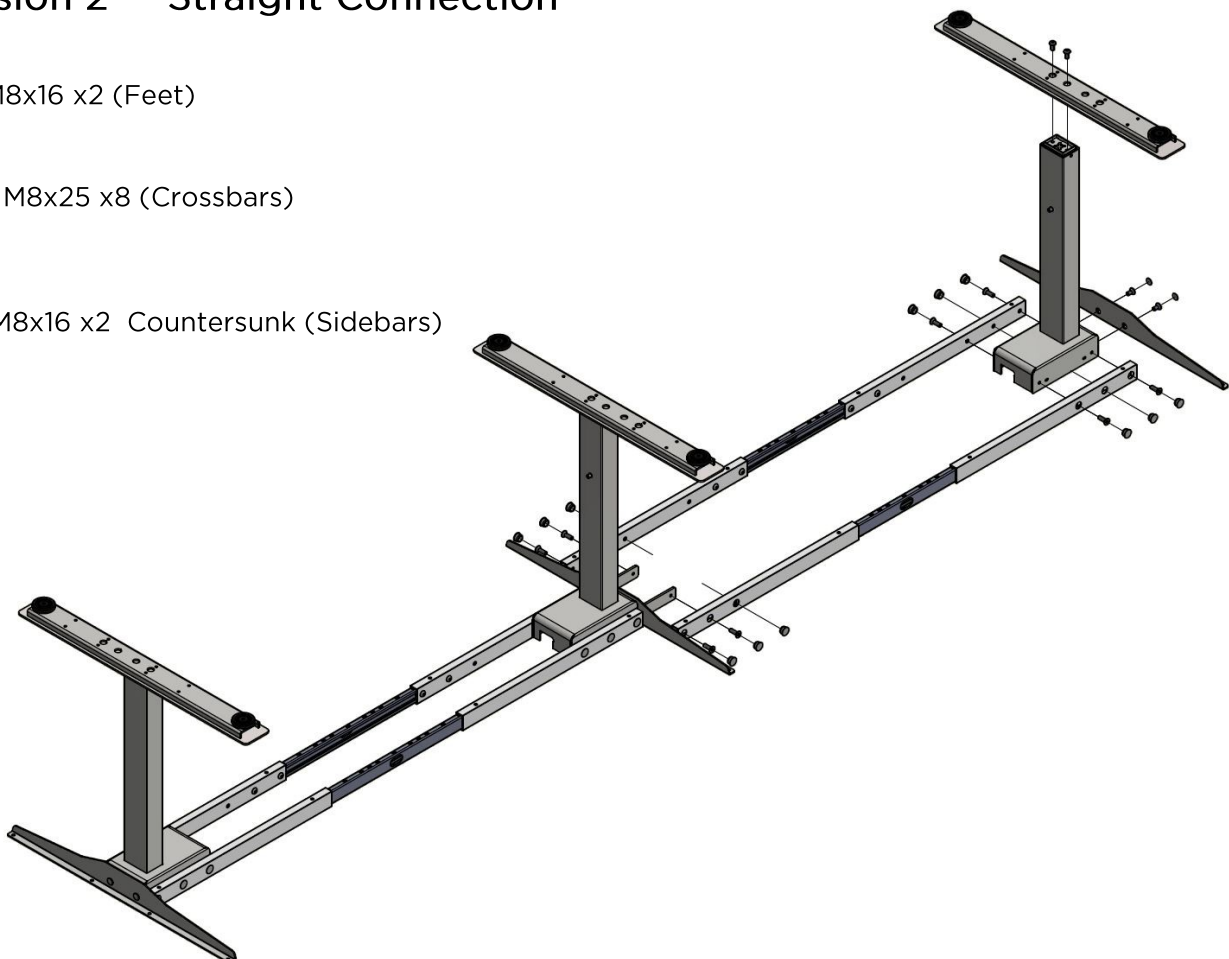
Version 2 – Straight Connection

6

 M8x16 x2 (Feet)

 M8x25 x8 (Crossbars)



 M8x16 x2 Countersunk (Sidebars)

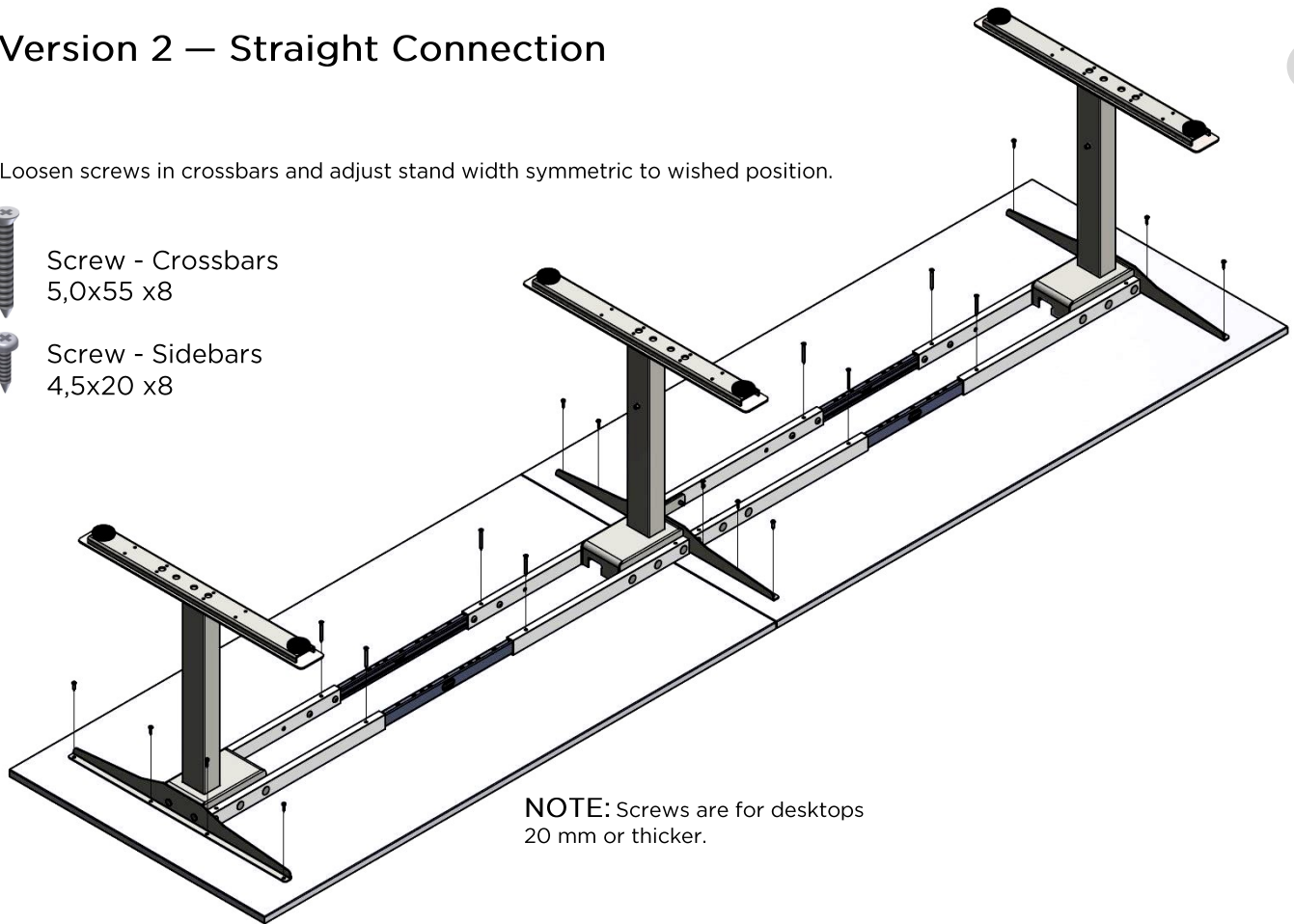


Version 2 – Straight Connection

7

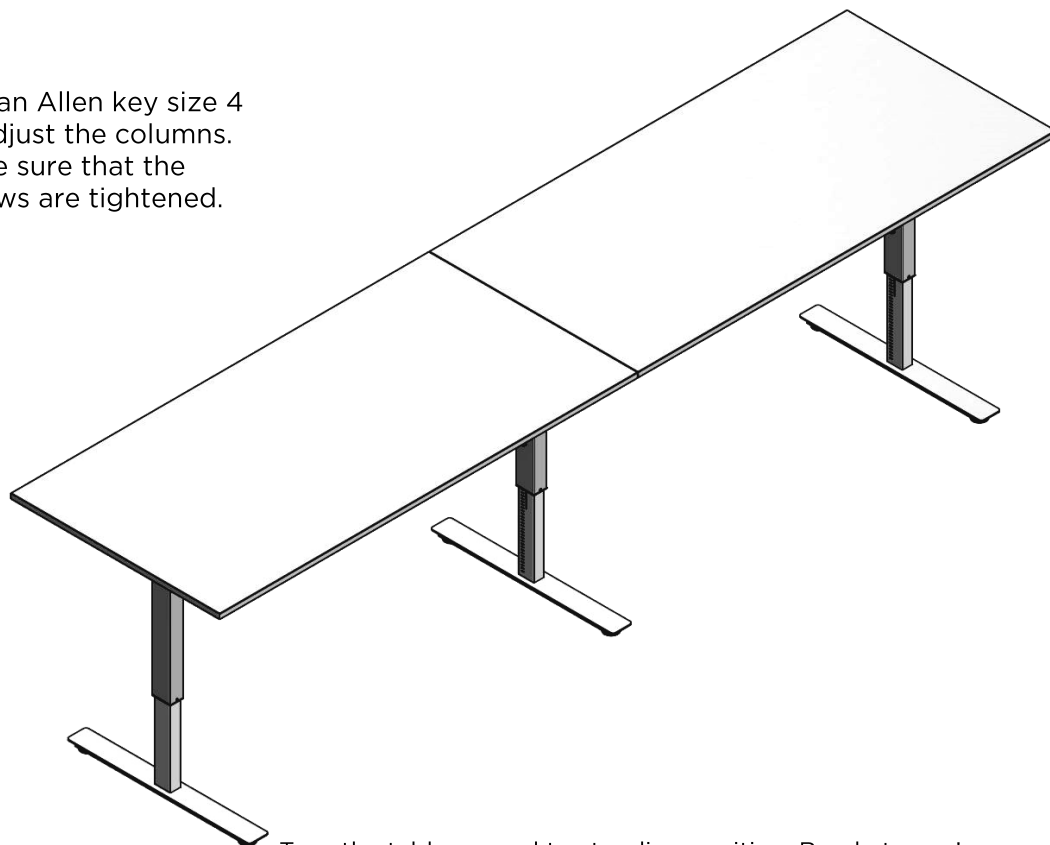
Loosen screws in crossbars and adjust stand width symmetric to wished position.

-  Screw - Crossbars
5,0x55 x8
-  Screw - Sidebars
4,5x20 x8



8

Use an Allen key size 4 to adjust the columns.
Make sure that the screws are tightened.



Turn the table around to standing position. Ready to use!